



FusionKraft™

ENT Surgery
Instruments Catalogue

www.myraandcompany.in

Myra & Co.
launches

FusionKraft™

General Vascular

Ophthalmic

Neuro

Plastic

Micro

Cardiac

Thoracic

ENT Gynaecology

Orthopaedics

FusionKraft™

GENERAL SURGICAL INSTRUMENTATION

ISO 9001
Quality Management Systems
certified



ISO 13485
Medical Device Quality Management
certified



Gruber Aural Speculum
M-3004 (Set of 3)



Hartmann-Black Aural Speculum
M-3009 (Set of 4)



Hartmann Aural Speculum
M-3014 (Set of 4)



Heath Aural Speculum (Oval Shape)
M-3019 (Set of 4)



M-3020 Holmgren Aural Speculum (Self - Retaining)



M-3021 Rosen Aural Speculum (Set of 4)



M-3022 Shea Aural Speculum (Set of 4)



M-3023 Rosen Aural Speculum Slotted (Set of 4)

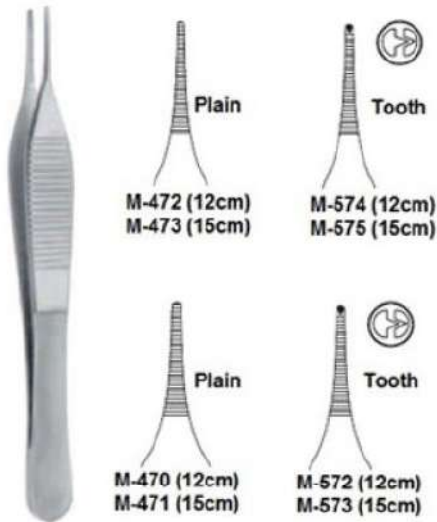


M-3024 Tumarkin Aural Speculum Tapered Slotted (Set of 4)



M-3025 Siegle Pneumatic Speculum (Set of 3)





Adson Forceps



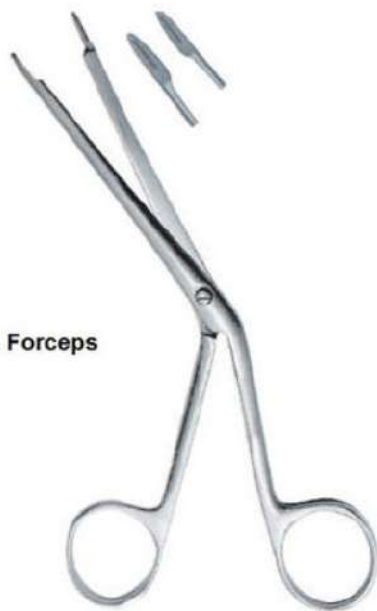
M-472T (12cm)
M-473T (15cm)
M-470T (12cm)
M-471T (15cm)

M-574T (12cm)
M-575T (15cm)
M-572T (12cm)
M-573T (15cm)

Adson Forceps (TC)



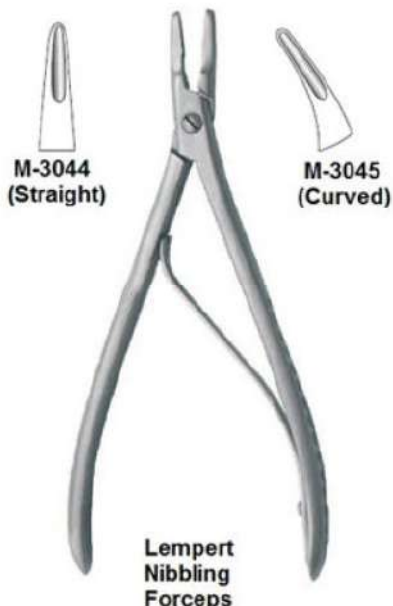
M-3042
Ossicle Holding
Clamp



Hartmann Aural Forceps
M-1023 (12cm)
M-1024 (14cm)
M-1025 (20cm)



M-3043
Tilley Aural Forceps
(14 cm)



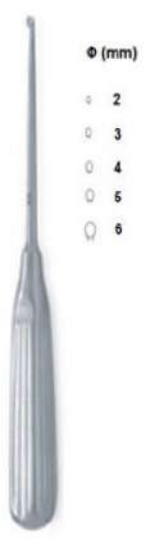
Lempert
Nibbling
Forceps



M-3046
Lempert Endaural
Speculum



M-3047
Aural Syringe


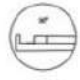



- Ø (mm)
- 2 M-3058
- 3 M-3060
- 4 M-3062
- 5 M-3064
- 6 M-3066

- Curved Cup**
- M-3058
 - M-3060
 - M-3062
 - M-3064
 - M-3066

- Straight Cup**
- M-3059
 - M-3061
 - M-3063
 - M-3065
 - M-3067



-  M-3088 (1mm)
-  M-3089 (2mm)
-  M-3090 (3mm)



**Kerrison Punch
Upward Cutting**



**Lake Seeker
M-3091**



**Houses Graft
Press Forceps
M-3092**

- M-3093 3Fr.
- M-3094 5Fr.
- M-3095 7Fr.



Barron Suction Tube

- M-187 (6Fr.)
- M-188 (8Fr.)
- M-189 (10Fr.)
- M-190 (12Fr.)



Frazier Suction Tube

- M-3096 2mm
- M-3097 2.7mm
- M-3098 3.3mm
- M-3099 4.0mm
- M-3100 4.7mm









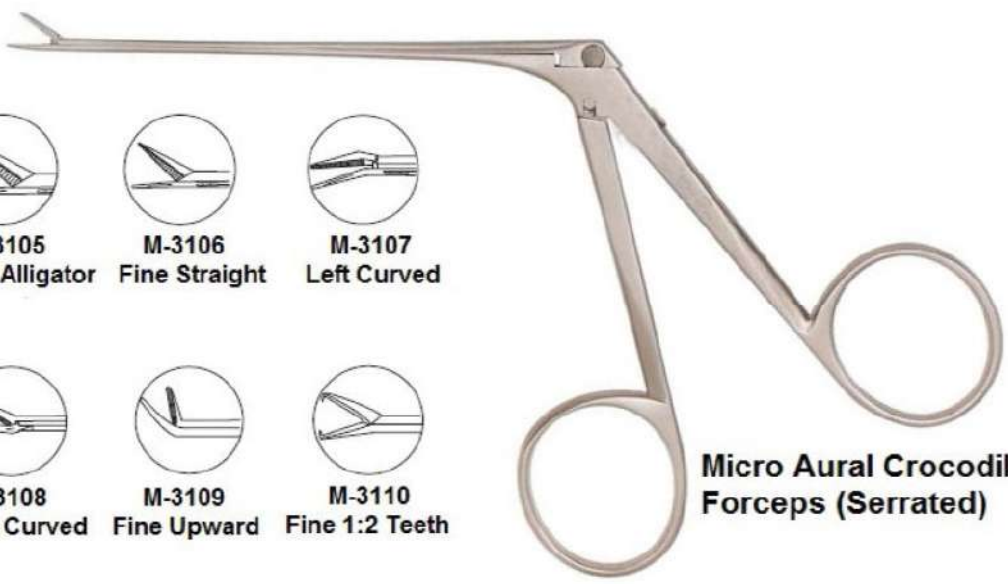
**Lempert Mastoid
Suction Tubes**

- M-3101 2.7mm
- M-3102 3.3mm
- M-3103 4.3mm
- M-3104 5.0mm

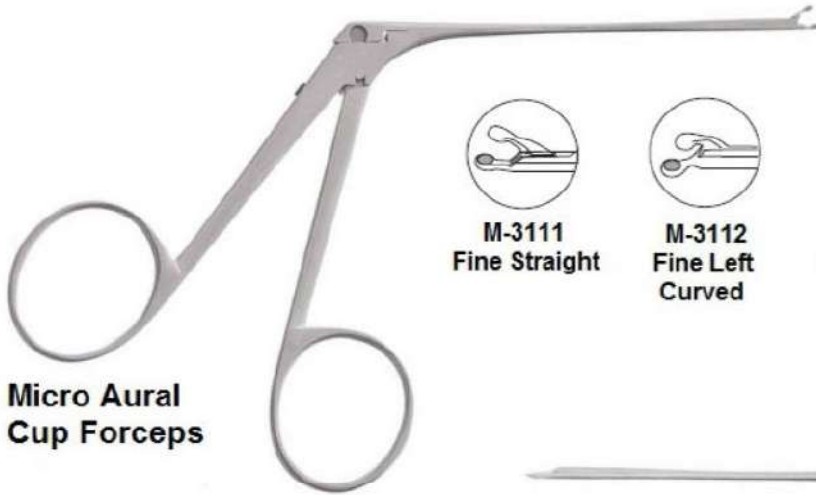


**Frazier Suction
Tube (Ball-End)**

-  **M-3105**
Office Alligator
-  **M-3106**
Fine Straight
-  **M-3107**
Left Curved
-  **M-3108**
Right Curved
-  **M-3109**
Fine Upward
-  **M-3110**
Fine 1:2 Teeth



**Micro Aural Crocodile
Forceps (Serrated)**



Micro Aural Cup Forceps



**M-3111
Fine Straight**



**M-3112
Fine Left Curved**



**M-3113
Fine Right Curved**



**M-3114
Fine Upward**



**M-3115
Fine Straight**



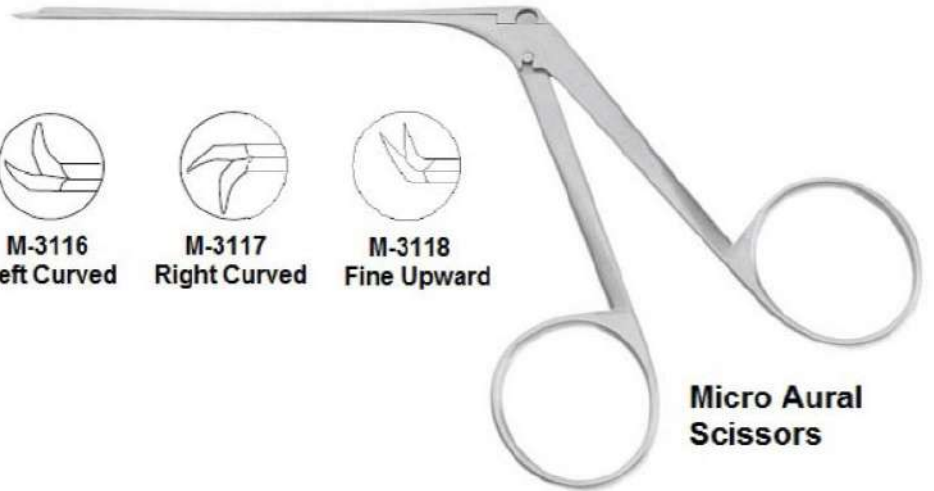
**M-3116
Left Curved**



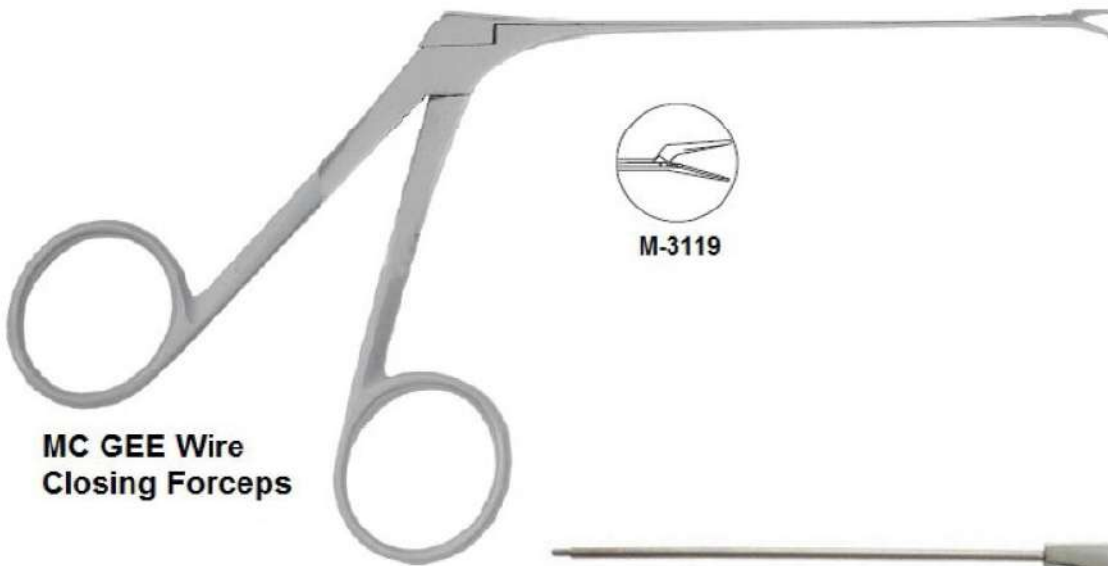
**M-3117
Right Curved**



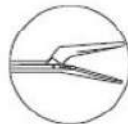
**M-3118
Fine Upward**



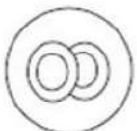
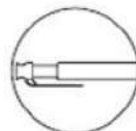
Micro Aural Scissors



MC GEE Wire Closing Forceps



M-3119



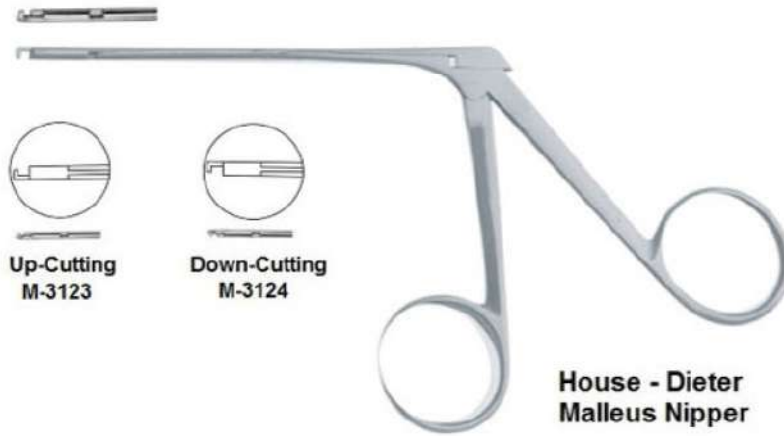
**Grommet Tube Inserter
M-3120**



Teflon Piston Holding Forceps
M-3121



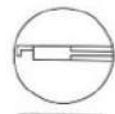
Micro Aural Polypus Forceps
M-3122



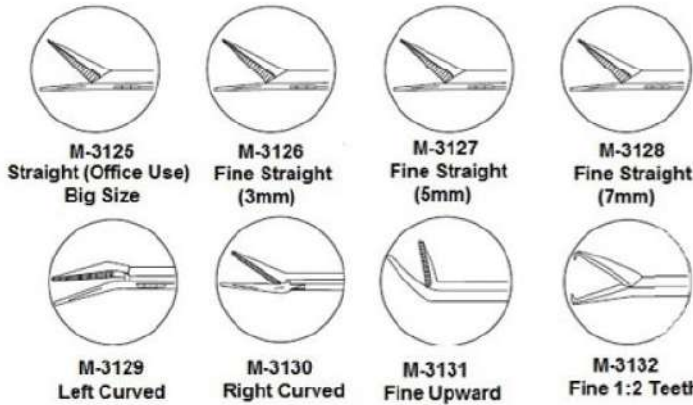
House - Dieter Malleus Nipper



Up-Cutting
M-3123



Down-Cutting
M-3124



M-3125
Straight (Office Use)
Big Size

M-3126
Fine Straight
(3mm)

M-3127
Fine Straight
(5mm)

M-3128
Fine Straight
(7mm)



M-3129
Left Curved



M-3130
Right Curved



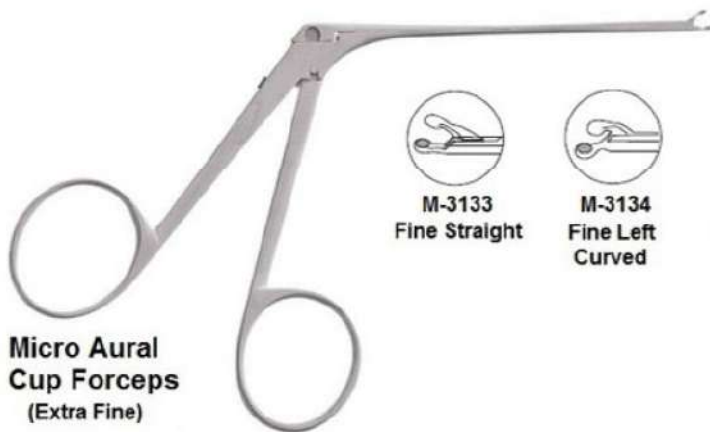
M-3131
Fine Upward



M-3132
Fine 1:2 Teeth



Micro Aural Crocodile Forceps (Serrated)
(Extra Fine)



Micro Aural Cup Forceps
(Extra Fine)



M-3133
Fine Straight







M-3134
Fine Left Curved

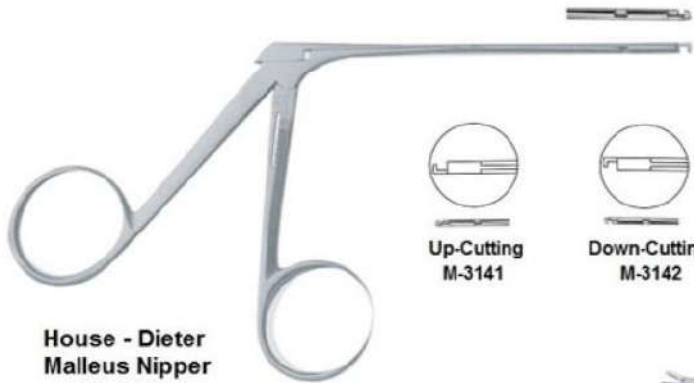


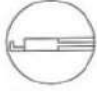

M-3135
Fine Right Curved





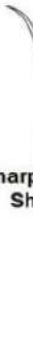









M-3136
Fine Upward

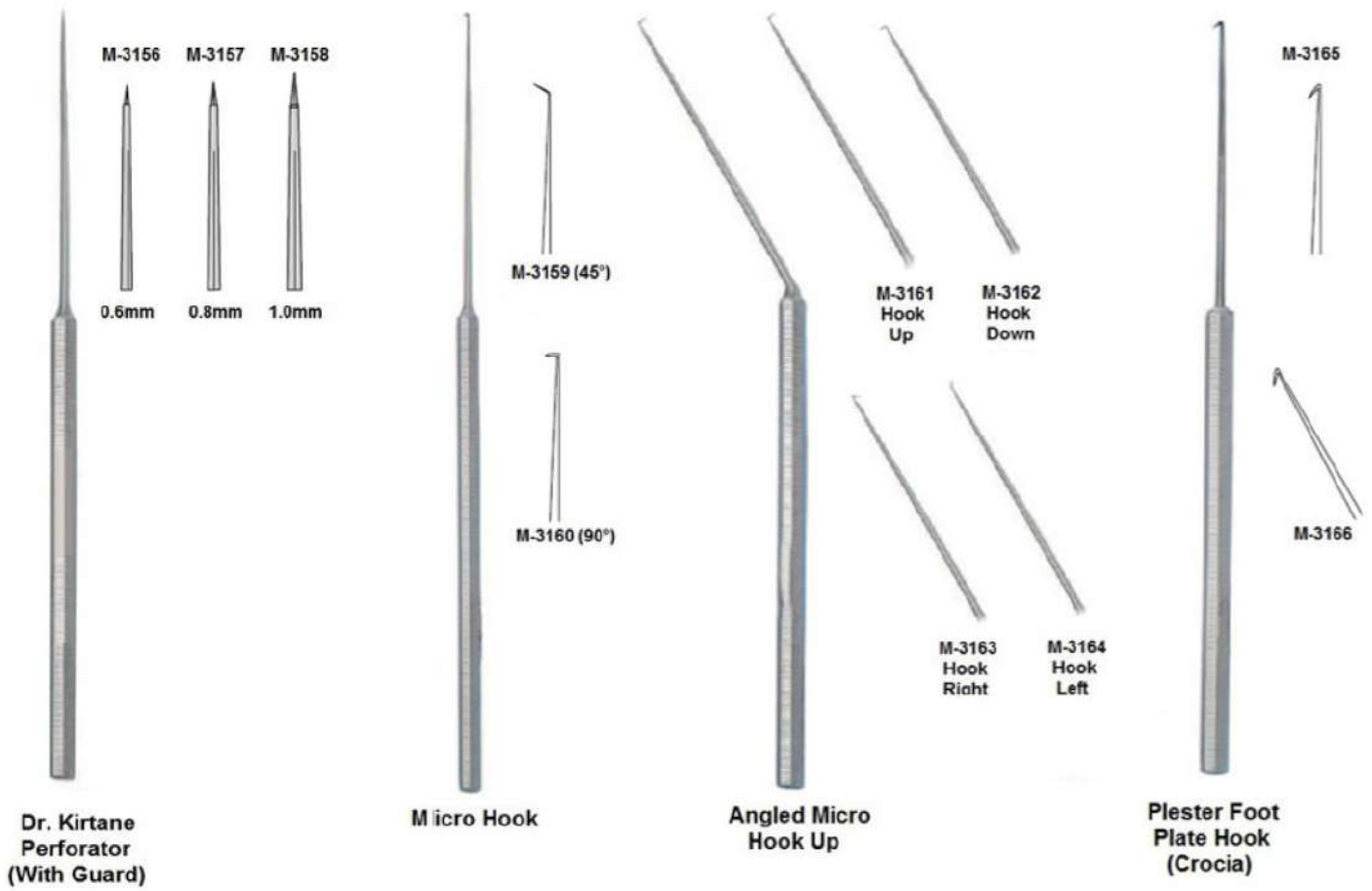
- 
M-3137
 Fine Straight
- 
M-3138
 Left Curved
- 
M-3139
 Right Curved
- 
M-3140
 Fine Upward



- 
Up-Cutting
M-3141
- 
Down-Cutting
M-3142



- | | | | | | | |
|---|--|---|--|---|--|--|
| <p>M-3144</p>  <p>Straight Sharp</p> | <p>M-3145</p>  <p>Slight Curved Sharp</p> | <p>M-3146</p>  <p>Sharp Curved Sharp</p> | <p>M-3147</p>  <p>Angled Wullstein Needle</p> | <p>M-3148</p>  <p>Size - 0.6mm</p> <p>M-3149</p>  <p>Size - 0.8mm</p> | <p>M-3150 (3.5mm)</p>  <p>M-3151 (4.0mm)</p>  <p>M-3152 (4.5mm)</p>  | <p>M-3153 (3.5mm)</p>  <p>M-3154 (4.0mm)</p>  <p>M-3155 (4.5mm)</p>  |
| Wullstein Pick Needles | | | M-3147 Angled Wullstein Needle | Larkin Penetrator Burr | House Measuring Rods | Shea Piston Depth Gauge |





Rosen Curette



House Curette (Double Ended)



House Curette (Angled) (Double Ended)



Rosen Curette (Curved)



Ball Probe



Circular Cutting Knife 60°



Circular Cutting Knife Curved



Circular Cutting Knife With Hole



Plester First Incision Knife



M-3183

Dr. Dhingra Sickle Knife With Saw



M-3184 (3mm)

M-3185 (5mm)

M-3186 (7mm)

Sickle Knife



M-3187 Angled Sickle Knife (Down)



M-3188 Angled Sickle Knife (Up)



M-3189

M-3189 Myringotomy Knife



M-3190 Suction Micro Hook 45°



M-3193 Circular Knife 45°, Suction



M-3191 Elevator Suction



M-3194 Plester First Incision Knife, Suction



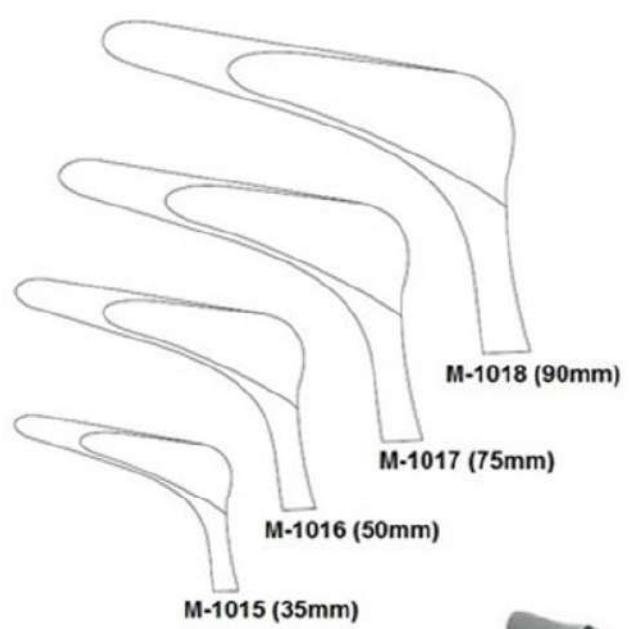
M-3192 Myringotomy Knife Suction



M-3195 Sickle Knife Suction



Killain Nasal Speculum (13cm)



M-1018 (90mm)

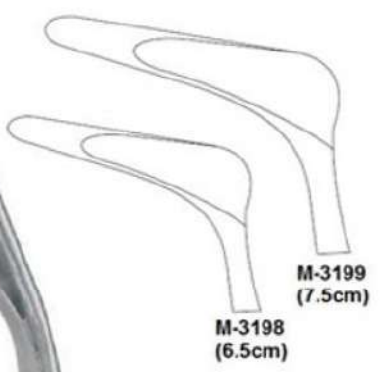
M-1017 (75mm)

M-1016 (50mm)

M-1015 (35mm)



Killian Nasal Speculum (With Fiber Optic Light 7.5cm)

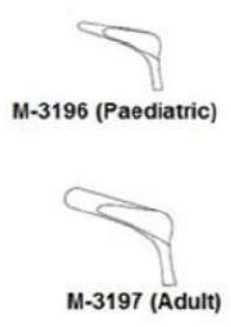


M-3199 (7.5cm)

M-3198 (6.5cm)



Hartmann Nasal Speculum



M-3196 (Paediatric)

M-3197 (Adult)



M-3200 Thudichum Nasal Speculum Set of 3



M-3201 Cottle Columella Forceps



M-3202

Cottle Retractor (Blunt)



M-1048 (Small)
M-1049 (Medium)
M-1050 (Large)

Cottle Retractor (Sharp)



M-1042 (2mm)
M-1043 (5mm)
M-1044 (7mm)
M-1045 (10mm)

Joseph Retractor (Fine Sharp)



M-3203

Gillies Skin Hook



M-3204
Ballenger Swivel Knife Bayonet



M-1239
Cottle Upper Retractor



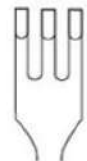
M-3205
Alar Retractor



Kilner Retractor



M-3206
Sharp



M-3207
Blunt



Tilley Septum Gouge (V-Shape)

M-3208 (4mm)
M-3209 (5mm)
M-3210 (6mm)



Killain Nasal Gouge

M-3211 (4mm)
M-3212 (5mm)
M-3213 (6mm)



Tilley Lichtwitz Antral Trocar & Cannula

M-3214 (1mm)
M-3215 (2mm)
M-3216 (3mm)



M-3217
SMR Elevator
(Broad)



M-3218
SMR Elevator
(Fine)



M-3219
Cottle Elevator
(Slight Curved)



M-3220
Masing Elevator
(With Graduations)



M-3221
Howarth Elevator



M-3222
Elevator



M-3223
Joseph Nasal Elevator



M-3224
Dissector With Succer



M-3225
Freer Elevator



M-3226
Foman Upper
Lateral Scissors



M-3227
Walter Scissors (Curved, Angled)
10cm



Luc's Nasal Turbinate Forceps
(Oval Shape)



M-3228
Small



M-3229
Medium



M-3230
Large



M-380
Heymann Turbinectomy
Scissors



M-380T
Heymann Turbinectomy
Scissors (TC)



M-3231
Foman Angular
Scissors



M-3231T
Foman Angular
Scissors (TC)



M-3232
Septum Cutting Punch



M-3233
Septum Cutting Scissors



M-3234
Septum Morcelizer



M-3235
Cottle Spetal Scissors



Knapp Scissors
M-3236 (Straight)
M-3237 (Curved)



Knapp Scissors
M-3238T (Straight TC) (11.5cm)
M-3239T (Straight TC) (14cm)



Knapp Scissors
(Super Cut - Straight)
M-3242TS (11.5cm)
M-3243TS (14cm)

Knapp Scissors
M-3240T (Curved TC) (11.5cm)
M-3241T (Curved TC) (14cm)

Knapp Scissors
(Super Cut - Curved)
M-3244TS (11.5cm)
M-3245TS (14cm)



Iris Scissors

Straight
M-381 (9cm)
M-382 (10.5cm)
M-383 (11.5cm)
M-384 (12cm)

Curved
M-385 (9cm)
M-386 (10cm)
M-387 (11.5cm)
M-388 (12cm)



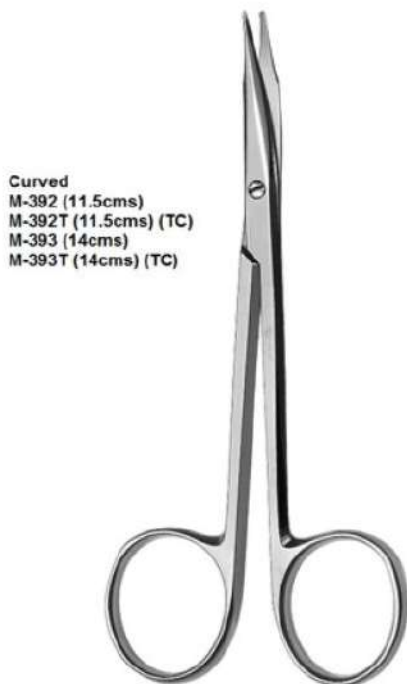
Iris Scissors
(Straight TC)
M-381T (9cm)
M-382T (10.5cm)
M-383T (11.5cm)
M-384T (12cm)

Iris Scissors
(Curved TC)
M-385T (9cm)
M-386T (10.5cm)
M-387T (11.5cm)
M-388T (12cm)



Iris Scissors
(Super Cut - Straight)
M-3246TS (10cm)
M-3247TS (13cm)

Iris Scissors
(Super Cut - Curved)
M-3248TS (10cm)
M-3249TS (13cm)



Stevens Scissors

Curved
M-392 (11.5cms)
M-392T (11.5cms) (TC)
M-393 (14cms)
M-393T (14cms) (TC)



Straight
M-391 (11.5cms)
M-391T (11.5cms) (TC)
M-394 (14cms)
M-394T (14cms) (TC)



Stevens Scissors
(Super Cut Series)

Straight
M-3250TS (11.5cms)
M-3251TS (14cms)

Curved
M-3252TS (11.5cms)
M-3253TS (14cms)



Straight
 M-3254 (12.5cms)
 M-3254T (12.5cms) (TC)
 M-3255 (15cms)
 M-3255T (15cms) (TC)

Curved
 M-3256 (12.5cms)
 M-3256T (12.5cms) (TC)
 M-3257 (15cms)
 M-3257T (15cms) (TC)

Kilner (Green Berg) Scissors



Straight
 M-3258TS (12.5cms)
 M-3259TS (15cms)

Curved
 M-3260TS (12.5cms)
 M-3261TS (15cms)

**Kilner (Green Berg) Scissors
 (Super Cut Series)**



Biopsy Punch Forceps
 M-3262 (5mm)
 M-3263 (6mm)
 M-3264 (7mm)



**M-3266
 Watson Williams
 Nasal Polypus Forceps**



**M-3265
 Aupright Nasal Retractor
 (With Fiberoptic Light)**



**M-1041
 Aupright Nasal Retractor
 (19cm)**



Cottle - Walsham Septum Straightening Forceps (23cms)
M-1028-A (Straight)

M-1028-B (Left)

M-1028-C (Right)



Kressner Septum Forceps
M-1029 (20cms)



Asch Septum Forceps
M-1030 (23cms)



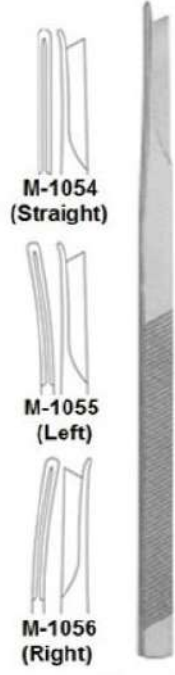
Mallet
M-3267



Ross Raspatory

M-3268 (Right)

M-3269 (Left)



Silver Chisel
(18cms)

M-1054 (Straight)

M-1055 (Left)

M-1056 (Right)



Joseph Nasal Saw
(19cms)

M-1060 (Angled Right)

M-1061 (Angled Left)

M-1059 (Straight)



Rozner Nasal Osteotome

M-3270 (6mm)
M-3271 (8mm)
M-3272 (10mm)



Gillies Chisel

M-3273 (2mm)
M-3274 (3mm)
M-3275 (4mm)
M-3276 (6mm)
M-3277 (8mm)
M-3278 (10mm)



Gillies Gouge

M-3279 (2mm)
M-3280 (3mm)
M-3281 (4mm)
M-3282 (6mm)
M-3283 (8mm)
M-3284 (10mm)



Gillies Osteotome

M-3285 (2mm)
M-3286 (3mm)
M-3287 (4mm)
M-3288 (6mm)
M-3289 (8mm)
M-3290 (10mm)



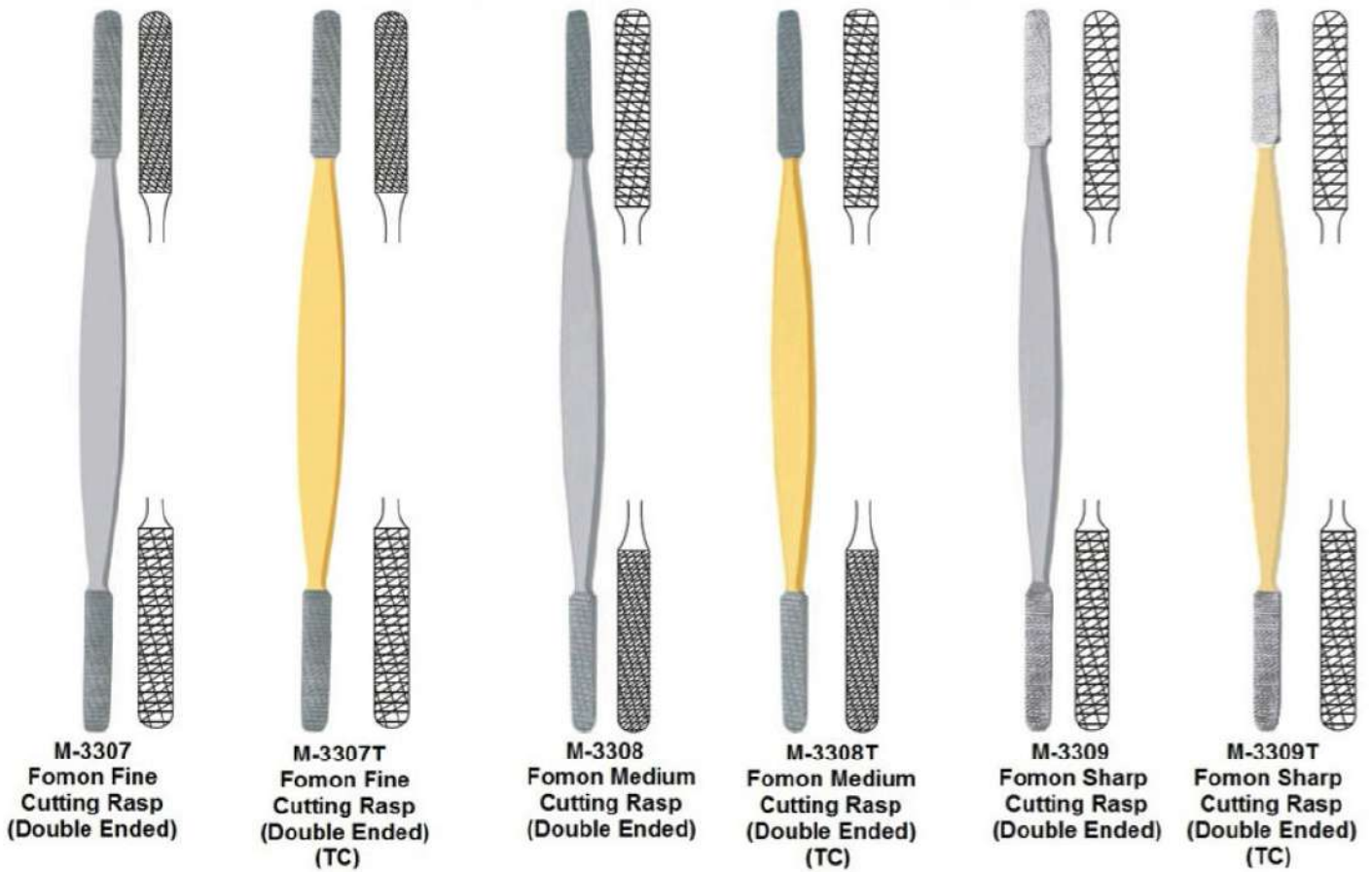
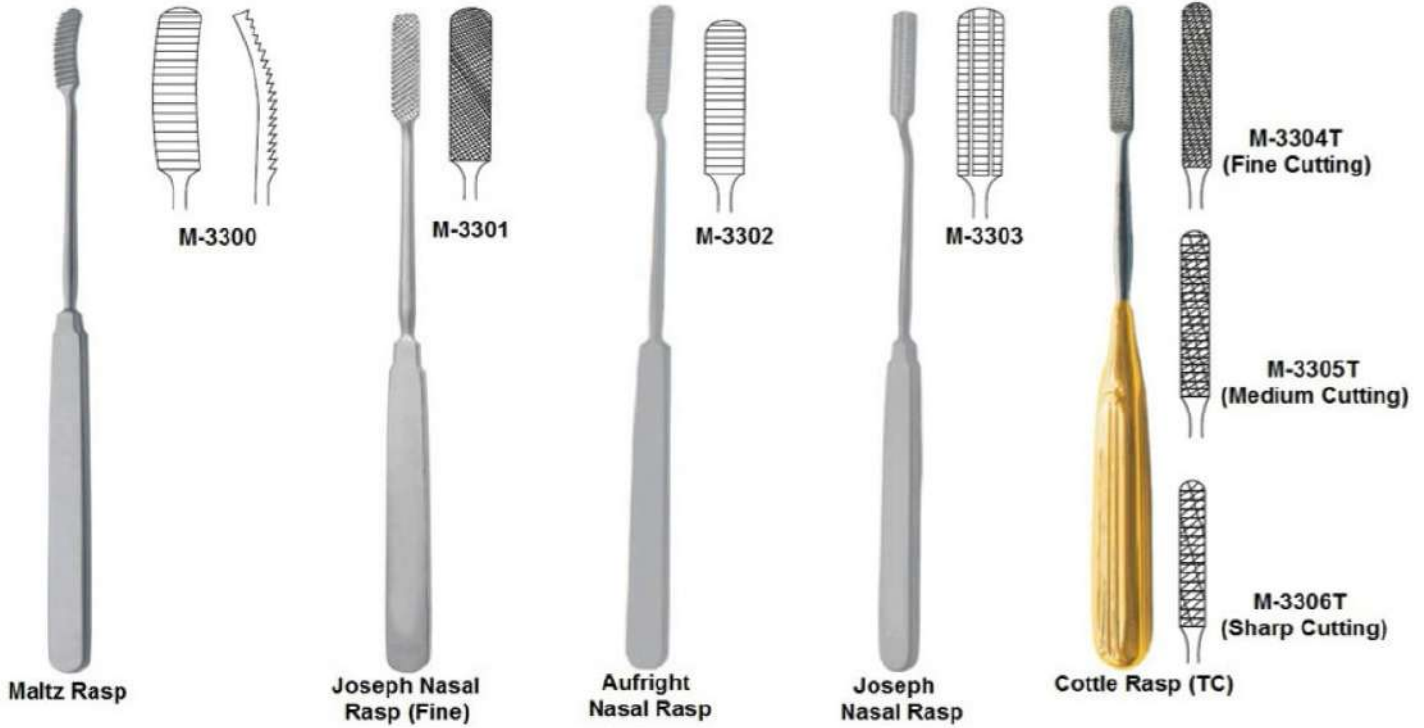
Osteotome (Moon Type)

M-3291 (8mm)
M-3292 (10mm)
M-3293 (12mm)
M-3294 (15mm)



Measuring Osteotome

M-3295 (2mm)
M-3296 (3mm)
M-3297 (4mm)
M-3298 (5mm)
M-3299 (6mm)





Braithwaite Skin Graft Handle
M-6000
(Set Incl. 1 Blade)



Cobbett Skin Graft Handle
M-6002
(Set Incl. 1 Blade)



Watson Skin Graft Handle
M-6004
(Set Incl. 1 Blade)



Humby Skin Graft Handle
M-6006
(Set Incl. 1 Blade)



M-6001 (Braithwaite Spare Blade)
M-6003 (Cobbett Spare Blade)
M-6005 (Watson Spare Blade)
M-6007 (Humby Spare Blade)

Tip Detail



Wire Cutting Scissors
M-423 (Non TC)
M-423T (TC)

M-3310 (2.5mm)
M-3311 (3mm)
M-3312 (4mm)



V. Eicken Antrum Cannula
Short Curved
(15cm)

M-3313 (2.5mm)
M-3314 (3mm)
M-3315 (4mm)



Eicken Antrum Cannula
(Long Curved)

M-3316 (3Fr.)
M-3317 (5Fr.)
M-3318 (7Fr.)



Suction/Irrigation Tube
(With Channel)

M-3319
(Pointed)

M-3320
(Round Tip)



Sinus Sickle Knife
(19cm)

M-3321



Antrum Ball Probe
(Double Ended)



M-3322
Malleable
Suction



M-3323
Malleable
Probe



M-3324
Elevator With
Knife (Kirtane)



M-3325
DCR Dilator



M-3326
DCR Probe

M-3327
Bill-Shaped
Beak

M-3328
Oblique
Beak



Trocar & Cannula
(For Sinuscopy)
Outer Φ 5mm
Cannula 8.5cm



M-3329
Forward Cutting



M-3330
Backward Cutting

Antrum Curette
(19cm)



M-3331
Small, 45°
(2.5X6.0mm)



M-3332
Large, 45°
(4.0X9.0mm)



M-3333
55° Angled
(2.5X6.0mm)



M-3334
90° Angled
(2.5X6.0mm)

Antrum Curette
(Oval Double Curved)
(19cm)



M-3335
SMR Elevator



M-3336
SMR Elevator Fine



M-3337
Masing Elevator
Graduated



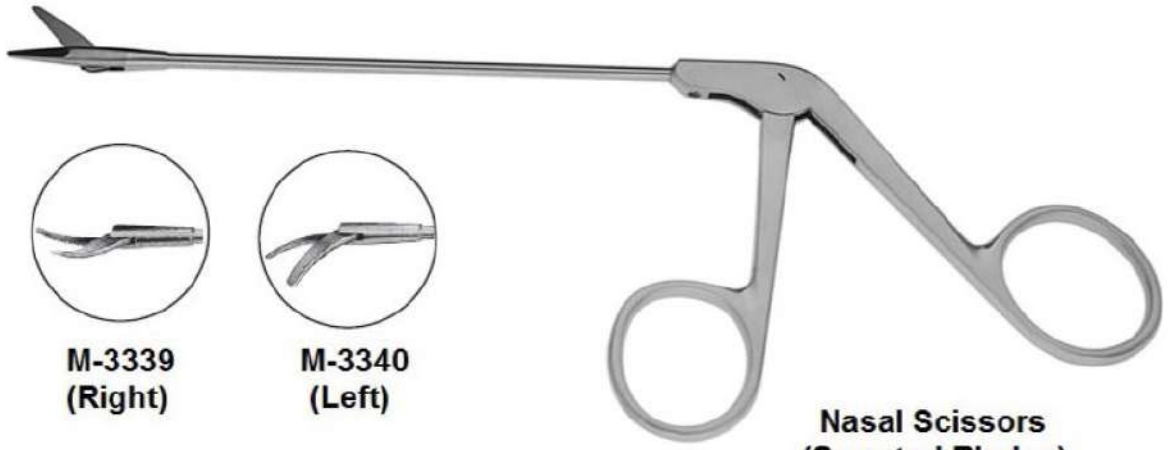
**M-3338
(Straight)**



**M-3339
(Right)**



**M-3340
(Left)**



**Nasal Scissors
(Serrated Blades)
(13cm)**



**Straight
M-3341 (2.5mm)
M-3342 (3.0mm)
M-3343 (3.5mm)**



**Up 45°
M-3344 (2.5mm)
M-3345 (3.0mm)
M-3346 (3.5mm)**



**Up 90°
M-3347**



**Down
M-3348**



**Blakesley Nasal
Forceps (13cm)**



M-3349

**Vertical
Movement**



M-3350

**Horizontal
Movement**



**Through Cutting Punch
Frontal Sinus Punch Forceps
(Double Action Cup (2mm)
(14.5cm)**



**Left
M-3351**



**Right
M-3352**



**Up
M-3353**



**Down
M-3354**

**Antrum Punch
Backward Cutting
(13cm)**

**M-3559
(Straight)**



**M-3560
(Up 45°)**



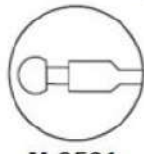
Through Cutting Punch



**M-3561
Top Back-Bite Punch**



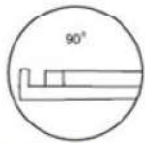
**M-3562
Curved**



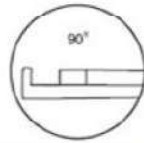
**M-3561
Straight**



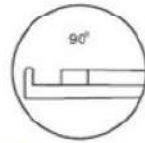
**Circular Mushroom
Cutting Punch**



M-3562 (1mm)



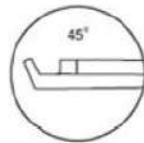
M-3563 (2mm)



M-3564 (3mm)



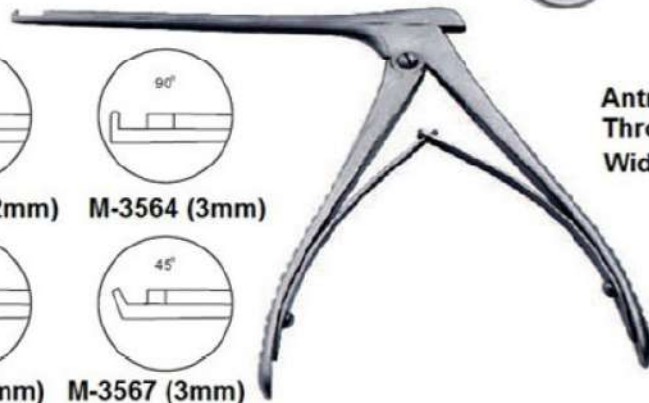
M-3565 (1mm)



M-3566 (2mm)



M-3567 (3mm)



**Antrum Punch
Through Cutting
Wide (13cm)**



M-3568 (1mm)

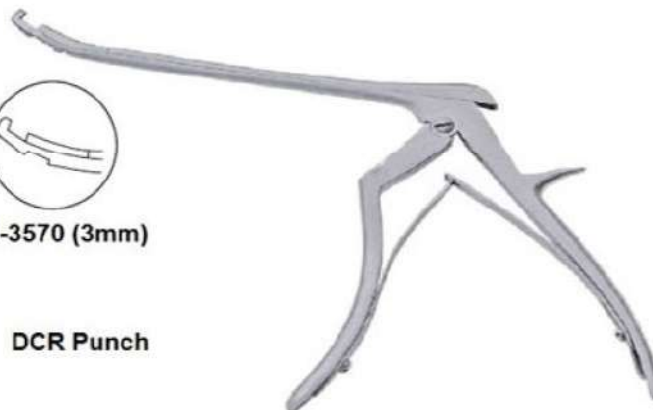


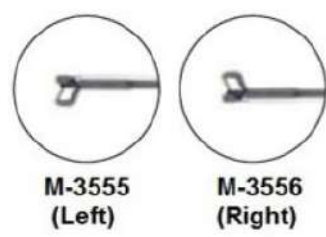
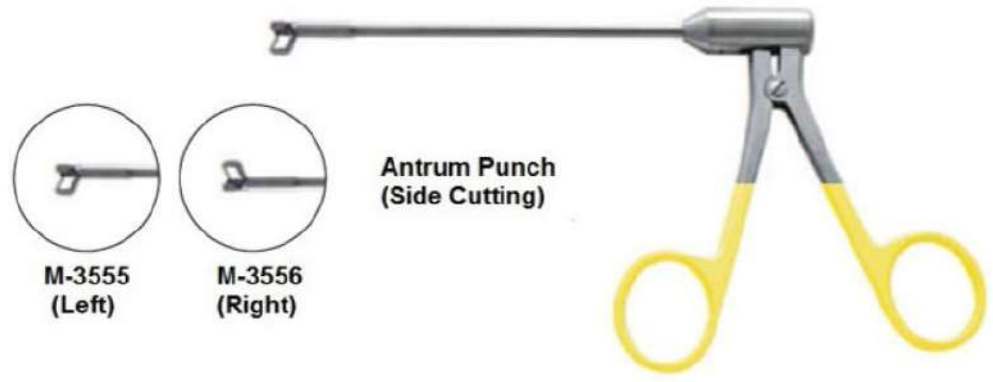
M-3569 (2mm)



M-3570 (3mm)

DCR Punch









M-3576
Clover Tonsil Holding
Forceps (19cms)



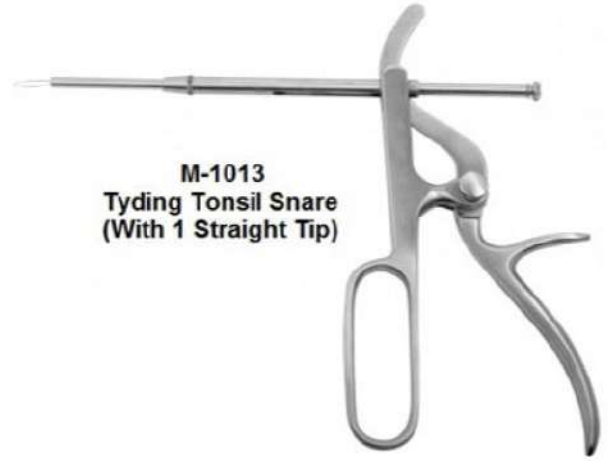
M-3577
Negus Knot Pusher
(21cm)



M-3578
Eve Tonsil Snare



M-3579
Wire



M-1013
Tying Tonsil Snare
(With 1 Straight Tip)



M-3579
Hurd Tonsil Dissector



M-3580
Hanke Tonsil
Dissector
(One Side Serrated)



M-3581
Tonsil Pillar
Retractor & Dissector



M-3582
Tonsil Needle
(Right)



M-3583
Tonsil Needle
(Left)



M-3584
Tonsil Knife

M-3585
Tongue Tie
Probe



M-3586
Yankeuer Tonsil
Suction Tube (27cm)



Backmann
Adenoid Curette



- M-3587 (8mm)
- M-3588 (10mm)
- M-3589 (12mm)
- M-3590 (14mm)

St. Clair Thompson
Adenoid Curette
(With Cage)



- M-3591 (8mm)
- M-3592 (10mm)
- M-3593 (12mm)
- M-3594 (14mm)



Waugh Tonsil
Dissection Forceps

- Serrated**
- Plain
M-3595 (15cm)
M-3597 (20cm)
 - Tooth
M-3596 (15cm)
M-3598 (20cm)

- Cross-Serrated**
- Plain
M-501 (15cm)
M-502 (20cm)
 - Tooth
M-505 (15cm)
M-506 (20cm)



Davis Boyle Mouth Gag
(Adult)
(With 4 Tongue Plates)
M-3600



Davis Boyle Mouth Gag
(Paediatric)
(With 3 Tongue Plates)
M-3599



M-3601
Doughty Mouth Gag
(With 4 Slotted Tongue Plates)



Jennings Mouth Gags
 M-946 (9cm)
 M-947 (11cm)
 M-948 (13cm)
 M-949 (15cm)



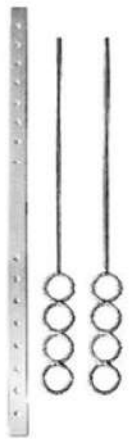
Doyen / Molt Mouth Gags
 M-936 (11cm)
 M-937 (14cm)



M-3603 Dingman Mouth Gag (With 3 Tongue Plates)



M-935 Heister Mouth Gag (13cm)



M-3602 Draffin's Bipod Stand



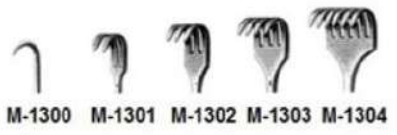
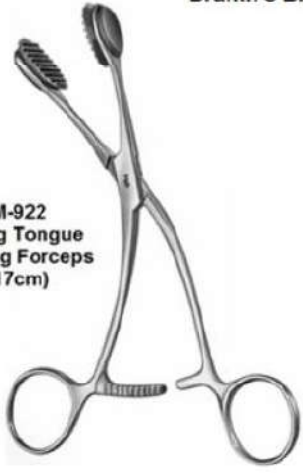
M-921 Collin Tongue Holding Forceps (17cm)



M-924 Guy Tongue Holding Forceps (19cm)



M-922 Young Tongue Holding Forceps (17cm)



M-1300 M-1301 M-1302 M-1303 M-1304



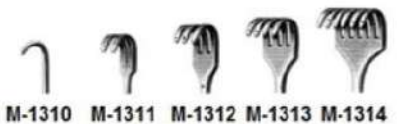
Sharp



M-1305 M-1306 M-1307 M-1308 M-1309



Blunt



M-1310 M-1311 M-1312 M-1313 M-1314



Semi-Sharp



Volkman Retractors

Langenbeck Retractors (21cm)

- M-1336 (30X11mm)
- M-1337 (30X14mm)
- M-1338 (30X16mm)
- M-1339 (40X11mm)
- M-1340 (50X11mm)





M-208
For Children
(20cm)



M-209
For Adults
(24.5cm)



Magill Intra-tracheal
Catheter Introducing Forceps



M-3604
Tracheal Dilating Forceps



M-3605
Tracheal Retractor
(1 Prong, Sharp)



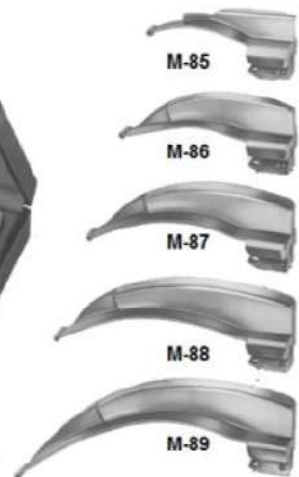
M-3606
Tracheal Retractor
(1 Prong, Blunt)



M-3607
Tracheal Retractor
(2 Prongs, Blunt)



M-90
McIntosh Laryngoscope Set



M-85

M-86

M-87

M-88

M-89



M-96
Miller Laryngoscope Set



M-95



M-94



M-93



M-92



M-91



M-3618
Weerda Distending
Operating Laryngoscope



M-3619
Negus Anterior
Commisure Laryngoscope
(With Long Cut & Fiber Optic Carrier)



Hypo-Pharyngoscope
(With Fiber Optic Carrier)
M-3620 (Paediatric)
M-3621 (Adult)



Anterior Commisure
Laryngoscope
(With Fiber Optic Carrier)
M-3622 (Paediatric)
M-3623 (Medium)
M-3624 (Large)



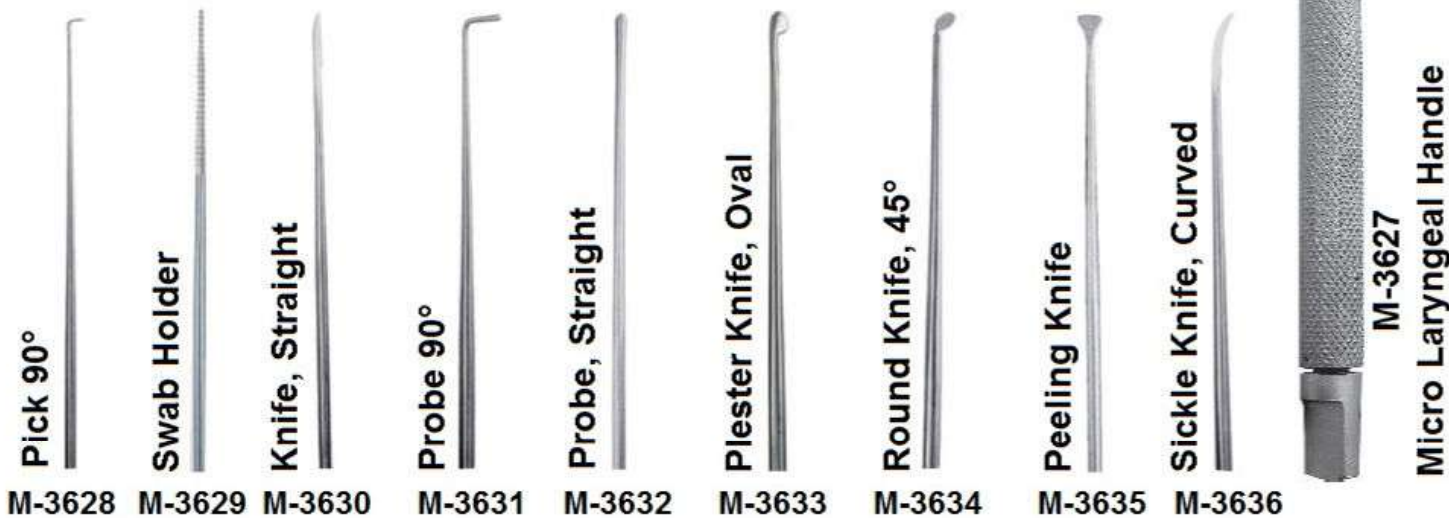
M-3626
Laryngoscope Holder
(With Chest Support)



M-3625
Jackson Laryngoscope
(Adult)
(With Fiber Optic Carrier)



Micro Laryngeal Instruments



Micro Laryngeal Forceps

Serrated Jaw



Straight
M-3637 (25cm)
M-3638 (35cm)



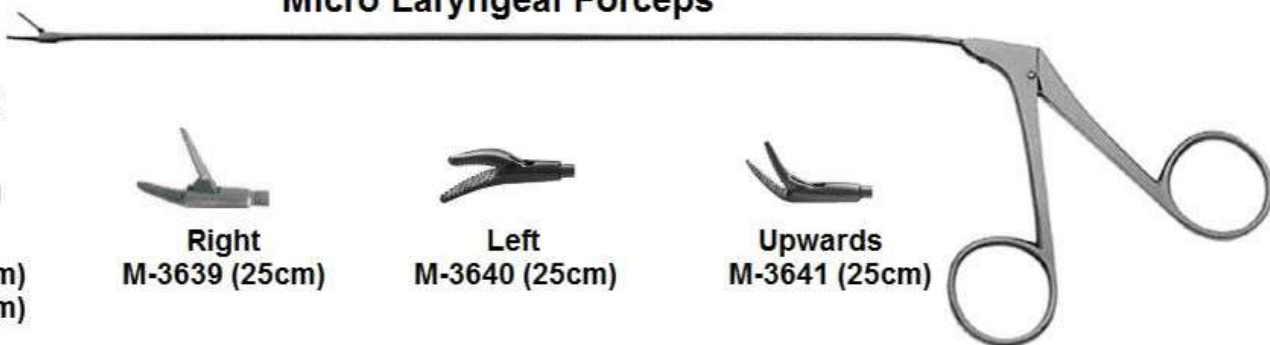
Right
M-3639 (25cm)



Left
M-3640 (25cm)



Upwards
M-3641 (25cm)



Cup Jaw



Straight
M-3642 (25cm)
M-3643 (35cm)



Right
M-3644 (25cm)



Left
M-3645 (25cm)



Upwards
M-3646 (25cm)

Scissors



Straight
M-3647 (25cm)



Right
M-3648 (25cm)



Left
M-3649 (25cm)



Patterson Biopsy Forceps
M-3662 (25cm)
M-3663 (35cm)
M-3664 (45cm)
M-3665 (55cm)

Grasping Forceps



Jackson
M-3650 (25cm)
M-3651 (35cm)
M-3652 (45cm)
M-3653 (55cm)



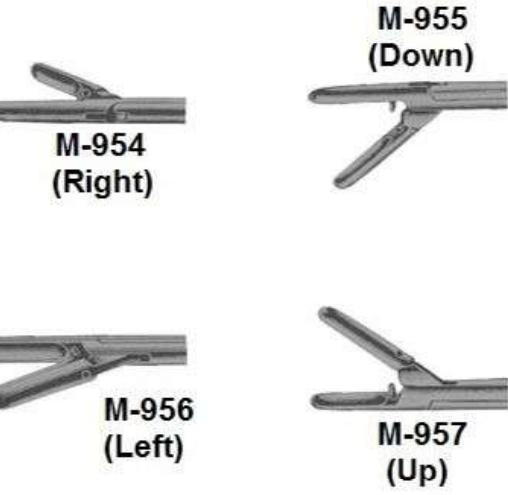
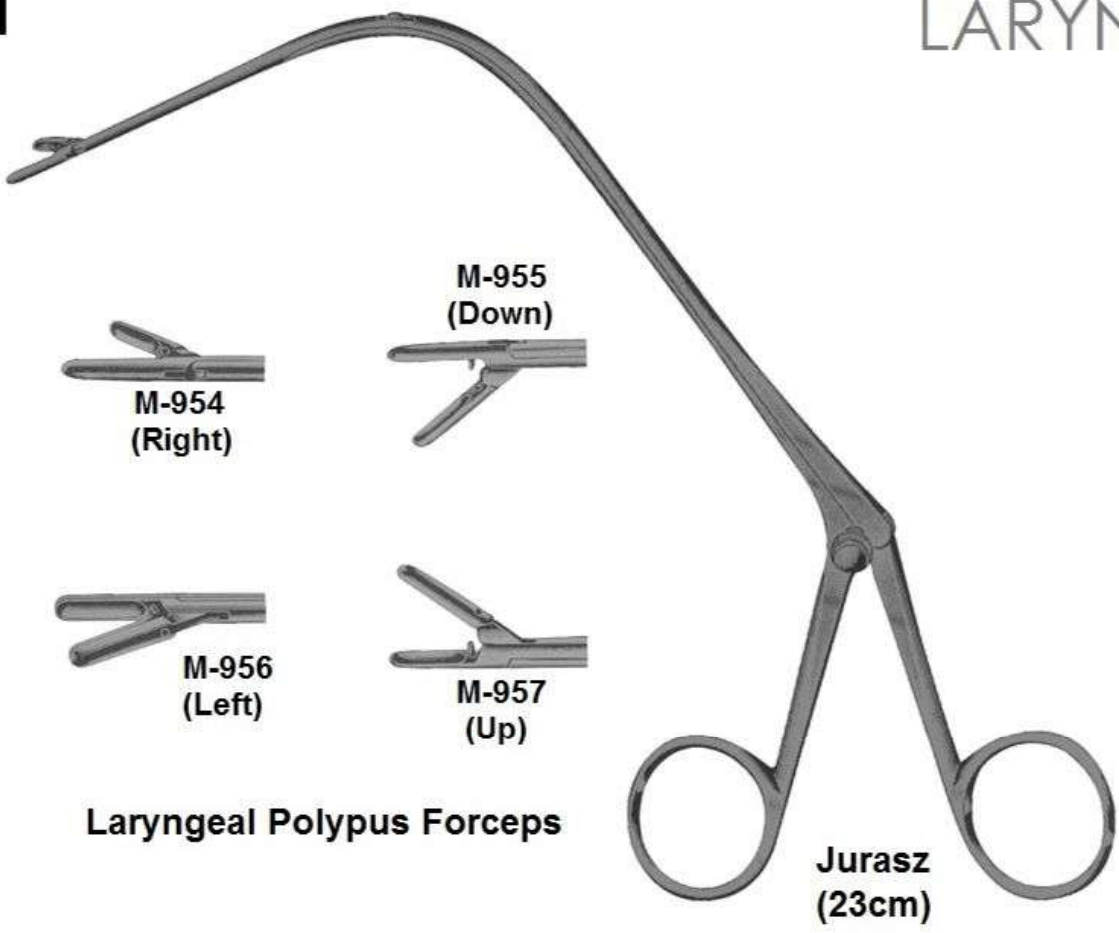
Foreign Body Forceps
M-3654 (25cm)
M-3655 (35cm)
M-3656 (45cm)
M-3657 (55cm)



Vocal Nodule Forceps
M-3658 (25cm)
M-3659 (35cm)
M-3660 (45cm)
M-3661 (55cm)



Punch Biopsy Forceps
M-3666 (25cm)
M-3667 (35cm)
M-3668 (45cm)
M-3669 (50cm)



Laryngeal Polypus Forceps

Jurasz (23cm)

Broncho-Esophagoscopy Forceps



Chevalier-Jackson



Fenestrated Basket (Square)



Serrated Grasping



Alligator Grasping

- 30cm M-958
- 40cm M-959
- 50cm M-960
- 60cm M-961

- M-962
- M-963
- M-964
- M-965

- M-966
- M-967
- M-968
- M-969



Cup, Straight



Fenestrated Basket (Round)



Biopsy Cup



Cup, Right

- 30cm M-970
- 40cm M-971
- 50cm M-972
- 60cm M-973

- M-974
- M-975
- M-976
- M-977

- M-978
- M-979
- M-980
- M-981

- M-982
- M-983
- M-984
- M-985

Laryngeal Suction Tube (25cm)

- M-3670 - 6Fr.
- M-3671 - 8Fr.
- M-3672 - 10Fr.
- M-3673 - 12Fr.

Bronchus Suction Tube

- M-3675 (35cm)
- M-3676 (45cm)
- M-3677 (55cm)



Suction Respiratory/Needle M-3674 (23cm)



FusionKraft™



by

Myra & Company

(An ISO 9001 : 2008 Certified Company)

293, Ground Floor, Niti Khand -2, Indirapuram.
Ghaziabad. U.P.-201010. INDIA

Ph: +91 - 120 - 653 0330 (8 Lines)
Mob: +91 - 99999 06920, +91 - 98108 13683
Hotline: +91 - 120 - 640 1193

Email: org@myraandcompany.in

www.myraandcompany.in

FusionKraft™ is a trademark of Myra & Co., India. Copyright © 2014 Myra & Co. All rights reserved.

The information presented in this catalogue is intended to demonstrate a FusionKraft™ product only. Myra & Co. reserves the right to make any alterations in the information/technical specifications without any prior notice. No part of this catalogue may be reproduced, stored in or introduced into a retrieval system, or transmitted, in any form or by any means (electronic, mechanical, photocopying, recording, or otherwise) without the prior written permission.